

## PD Flowmeters since 1970

### Basket Type Protection Strainers for P.D. Flowmeters



“PETROL INSTRUMENTS”

basket type strainers are used for screening foreign particles present in the fluid in order to protect the PD flowmeter and to allow their proper function and durability.

#### CODE

MAX PRESSURE	
CODE	MPA
A	1
L	2
M	6,2
H	11
X	>11

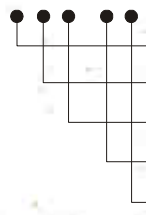
SCREENER MATERIALS	
CODE	SCREENER
7	AISI 304
8	AISI 316
9	AISI 316L

BODY MATERIALS		
CODE	BODY/COVERS	GASKET
C	CARBON STEEL	TEFLON
E	AISI 304	TEFLON
F	AISI 316	TEFLON
G	AISI 316L	TEFLON

#### FEATURES

- ✓ Maximum effective screening area with minimum pressure losses.
- ✓ High strength of filter elements to resist pressure differentials there-across to assure stable operation
- ✓ Simple design and suitable for operation in heavy conditions.
- ✓ Easy maintenance construction.

SA12-F 8



- |    |                                      |
|----|--------------------------------------|
| S  | Basket type strainer                 |
| A  | Max operating pressure               |
| 12 | Strainer size (see table at sheet 2) |
| F  | Body materials                       |
| 8  | Screeener materials                  |

#### IDENTIFICATION CODES

#### SCREENERS

- ✓ Mesh standard  
40, 80, 200
- ✓ Options  
20,60,100,160 mesh
- ✓ Special mesh on request

## PETROL Instruments

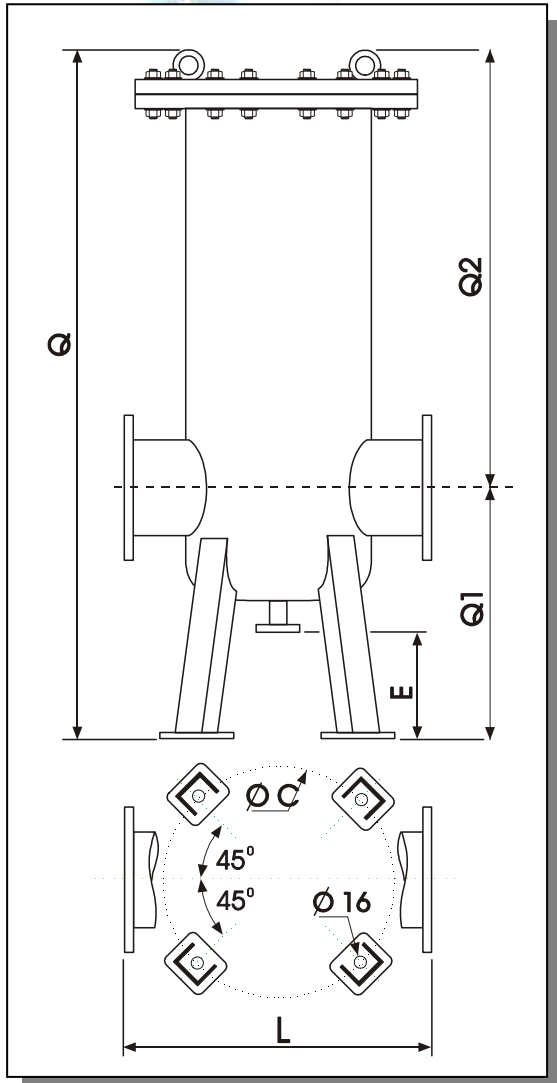
Via della Tecnica, 5 – 04011 APRILIA (LT)  
Tel. +39-06-9201.941.r.a. – Fax +39-06-9201.9446  
E-mail: info@petrol-instruments.com  
Web: http://www.petrol-instruments.com



## PD Flowmeters since 1970

### Basket Type Protection Strainers for P.D. Flowmeters

#### STRAINERS DIMENSIONS



STRAINERS OUT-LINE DIMENSIONS						
SIZE	C	E	L	Q1	Q2	Q
10"	640	190	650	600	1170	1770
12"	540	190	900	665	1170	1845
16"	540	190	1100	800	1300	2100

UNI PN 10/16 and ANSI 150

Strainer size correspond to equipment flanged end connections

#### OPTIONS

- ✓ "PETROL INSTRUMENTS" strainers may be supplied complete with:
  - ✓ stainless steel floating type air/vapor eliminator head (model 11-AV).
  - ✓ connections for differential pressure indicator / switch.
  - ✓ differential pressure indicator.
  - ✓ differential pressure switch.
- ✓ "PETROL INSTRUMENTS" strainers may be manufactured in other construction material in accordance to customer specific need.
- ✓ **Flange Connections**
  - ✓ Size 10" may be supplied flanged 8"
  - ✓ Size 12" may be supplied flanged 10"
  - ✓ Size 16" may be supplied flanged 14"

#### PRESSURE DROP

