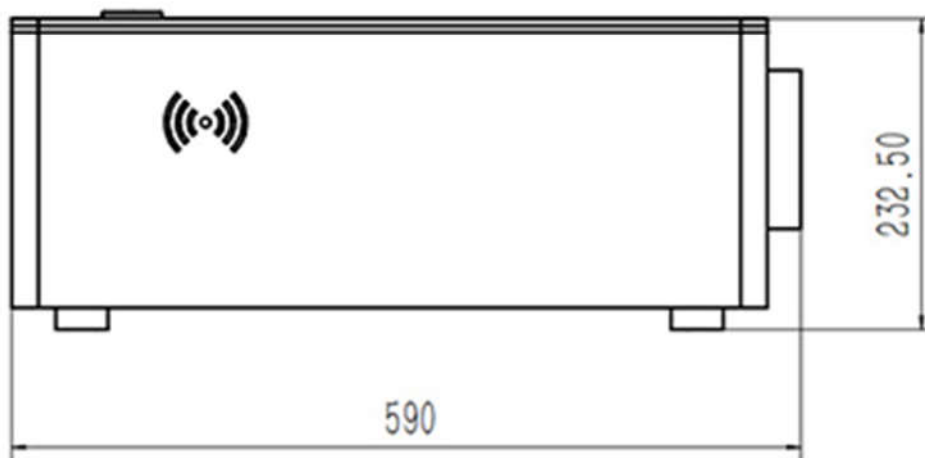
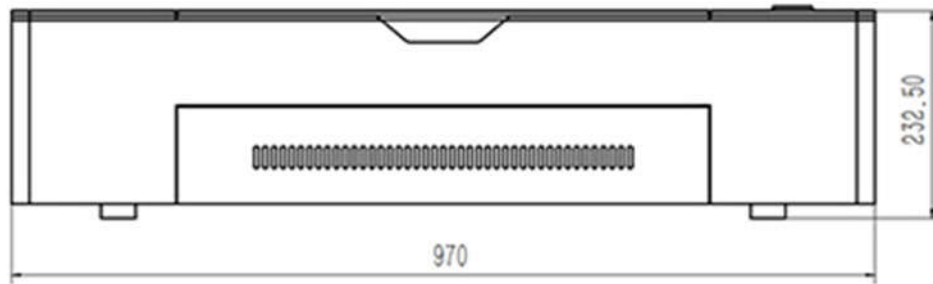
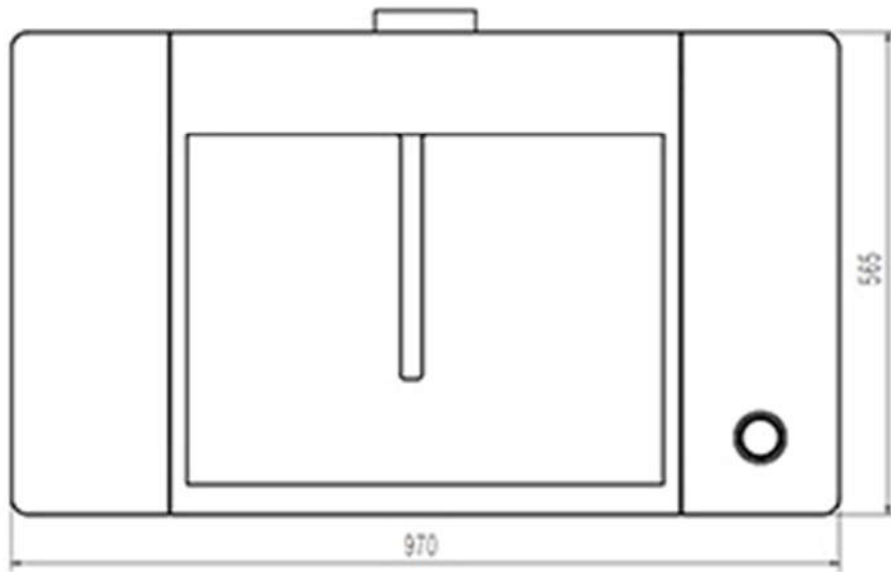




GWEIKE CLOUD[®] Desktop **3D Laser Printer**

Start **The Future** With **Cloud**

Desktop 3D Laser Printer





TECH SPECS

Laser System

Laser Classification	Class 4
Laser Type	10.6µm CO2 Laser
Laser Power	50W
Focus Lens Included	2.0"/2.5"

Weight & Dimensions

Processing Area	20.08" (510mm)*11.8" (300mm)
Machine Dimensions	38.2"*22.2"*9.2" (970mm*565mm*234.5mm)
Weight	42.6kg
Maximum working height	15mm

Power

Power Supply	AC 110-220V±10%,50-60Hz
Gross Power	550W

Precision

3D engrave settings carve detailed surfaces	
Positioning precision	0.00079"(0.02mm)
DPI	Engraving up to 1000 DPI



■ HARDWARE

• Configuration

Cameras	5 MP ultra-wide-angle camera wide angle & macro
Precise to 1/1000th of an inch	
Full autofocus	
Compact Filter	
Industrial Water Chiller	
Dual high-efficiency internal LED strips	

• Mechanicals

Case — Sheet metal
Linear System — Linear rails with Rail slider
Motion — Dual hybrid stepper Y axis; single hybrid stepper X axis
Cooling — Closed loop self contained internal cooling
Air Assist — Internal air assist with no external compressor hookup required



■ SOFTWARE

Online cloud printing system	
Compatibility	
PC, Mac & Linux	
Browser Compatibility	Google Chrome (recommended)
File Import Options	JPG, PNG, SVG
Wi-Fi required (2.4 GHz b/g/n and WPA2, WPA, WEP, or open)	

■ AIR FILTER

Exterior dimensions (LxWxH)	18.03" x 9.61" x 9.47" (458mm x 244mm x 240.5mm)
Weight	7.6kg
Power consumption	25W
Activated carbon gas filtration	
HEPA grade particulate filtration	

■ WARRANTY

12 month Comprehensive warranty



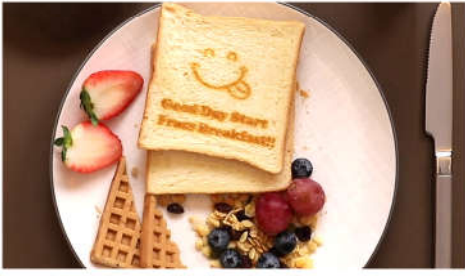
Material

Engraving

Cut

Material	Engraving	Cut
Wood	✓	✓
Fabric	✓	✓
Leather	✓	✓
Paper	✓	✓
Cardboard	✓	✓
Plexiglass (Acrylic)	✓	✓
Delrin (Acetal)	✓	✓
Mylar	✓	○
Rubber	✓	✓
Cork	✓	✓
Sandpaper	✓	✓
Foods	✓	✓
Glass	✓	○
Marble	✓	○
Rubber Stamps	✓	○
Ceramic Tile	✓	○
Anodized Aluminum	✓	○
Titanium	✓	○
Corian	✓	○

SAMPLES



01



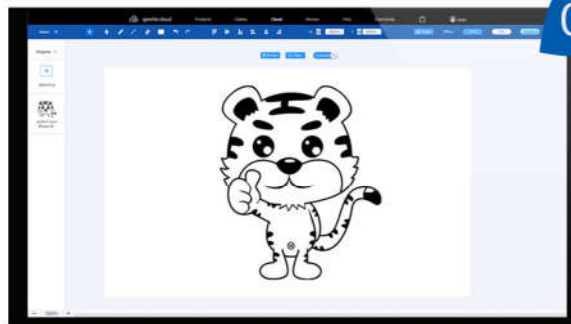
CCD Scan Camera

You can see the application effect of patterns on materials in real time. Just drag and drop to adjust the size and position of the patterns to easily determine the working range of the laser.

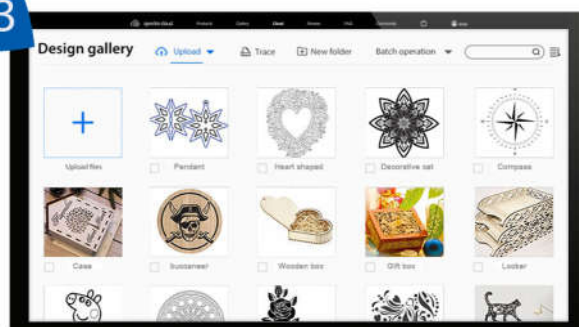
Cloud online Operation

Your Gweikecloud runs from a web browser, which means there's no software to install - ever. Drag and drop your designs right onto your material. Upgrades are instant and seamless

02



03



Online Design Catalog

If you do n't have professional drawing design experience or you do n't have time to design drawings, Gweikecloud provides massive materials for free download or you can purchase online

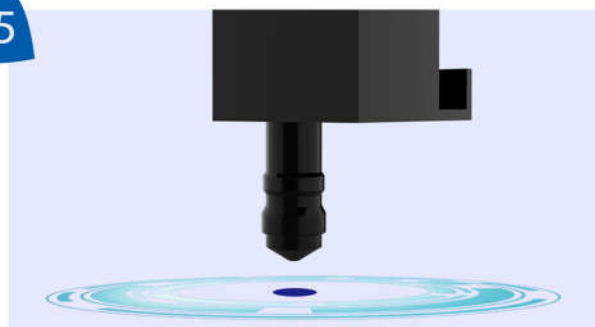
Safe For Children

Adopt fully enclosed structural design to give users the best protection. Products are CE-certified, FCC-certified, FDA-certified, all electronic components comply with 3C standards.

04



05



Autofocus Head

Auto focusing makes the laser head focus easily and quickly. Do not need to adjust the focal length by hand, saving much time and has higher accuracy.



06

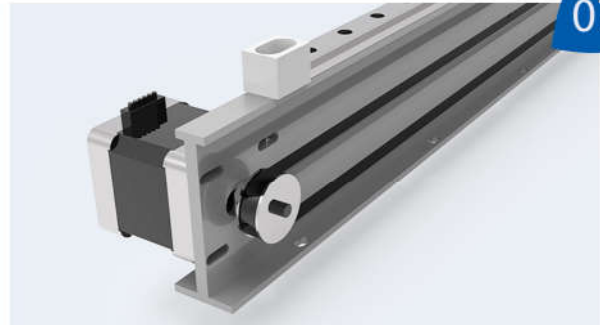


3D Engraving

It can engrave on Sphere, tilt plane, curved surface and different height object. It can create 3D image on diamond, woods, and acrylics ,etc.

Two Y-axis Simultaneous Motion Design

The Y-axis on both sides have been equipped two rails guide to ensure run more smoothly and higher cutting performance.



07

08



Three-axis Adopts Linear Guide

Adopted Taiwan Hiwin 3 axis linear guide rail, high positioning accuracy, scroll guide, reduce wear to maintain accuracy for a longer time.

Free Air Filter

The machine is equipped with compact air filter, which can clean the dust produced during the process of running. You can use the machine at home, school and office as it's safe and pollution-free.



09

10



WIFI Control

Convenient- You can remotely control computers and machines, adjust parameters and solve problems.



GWEIKE CLOUD VS OTHER 3D LASER PRINTER

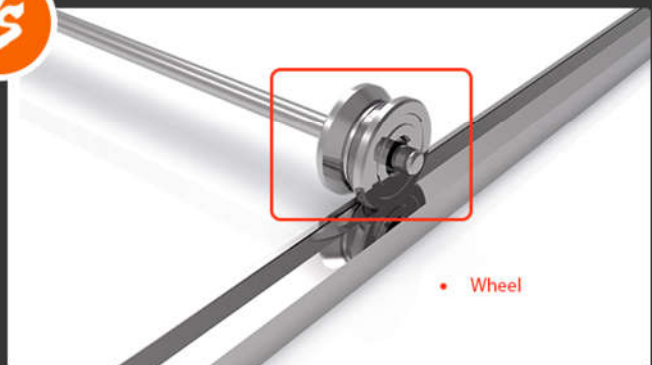
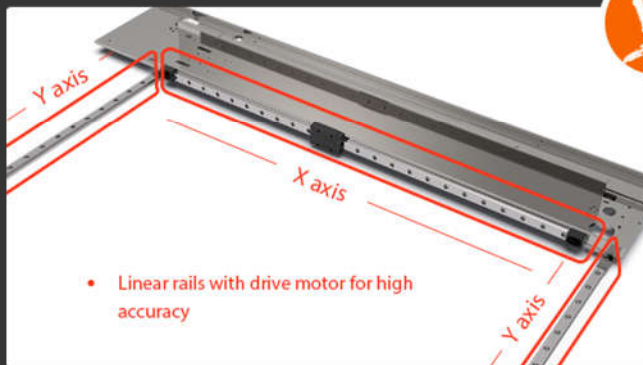
01 Laser Tube



- GWEIKE Cloud ⚡ ⚙️
- For **faster and thicker** material processing

- Other 3D Laser Printer
- For **slower and thinner** material processing

02 Three-axis Adopts Linear Guide



GWEIKE Cloud

- ✓ Linear rails with drive motor for high accuracy

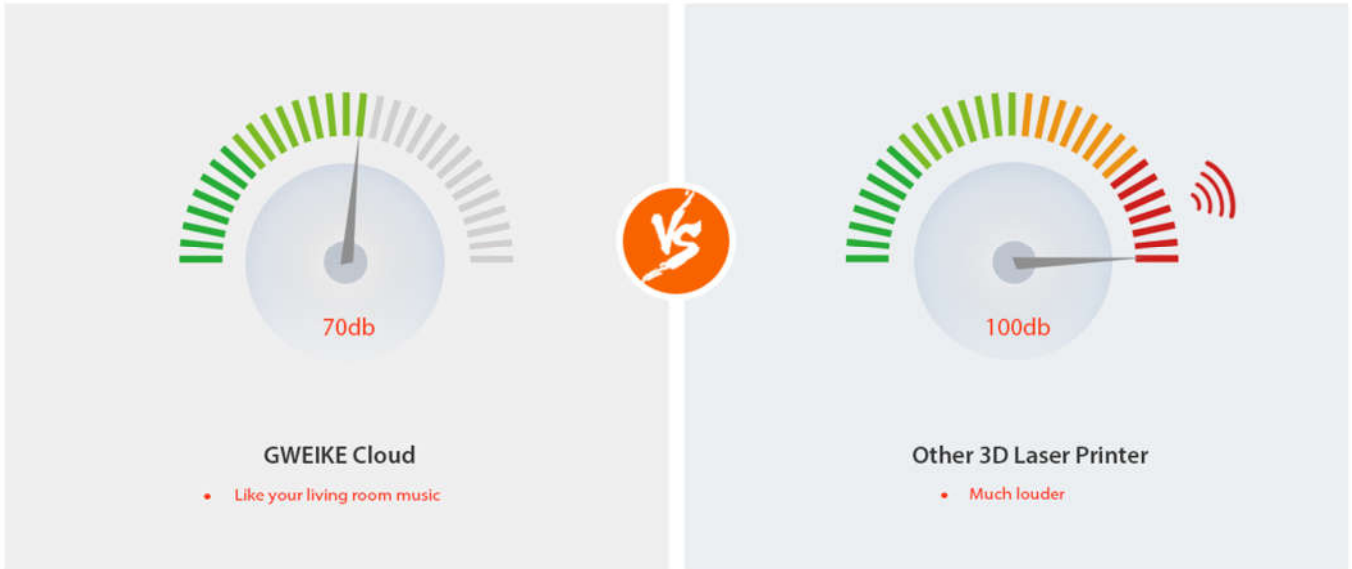
Other 3D Laser Printer

- ✗ Timing Belt: Slower and low accuracy

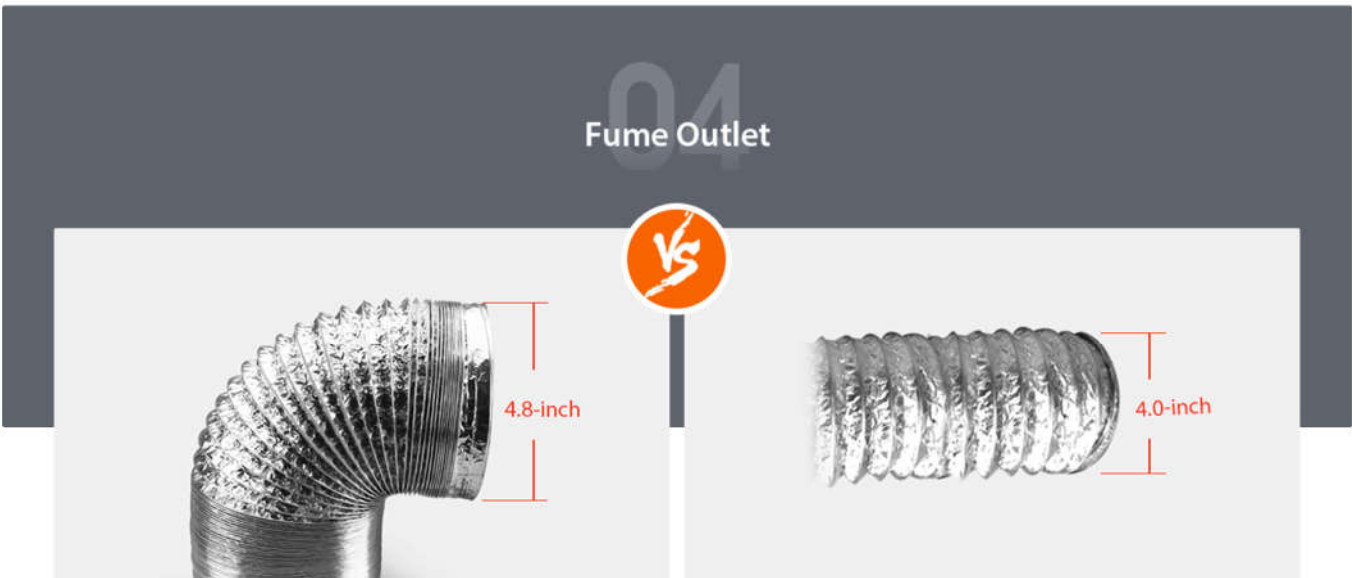


GWEIKE CLOUD VS OTHER 3D LASER PRINTER

03 Sound Level



04 Fume Outlet

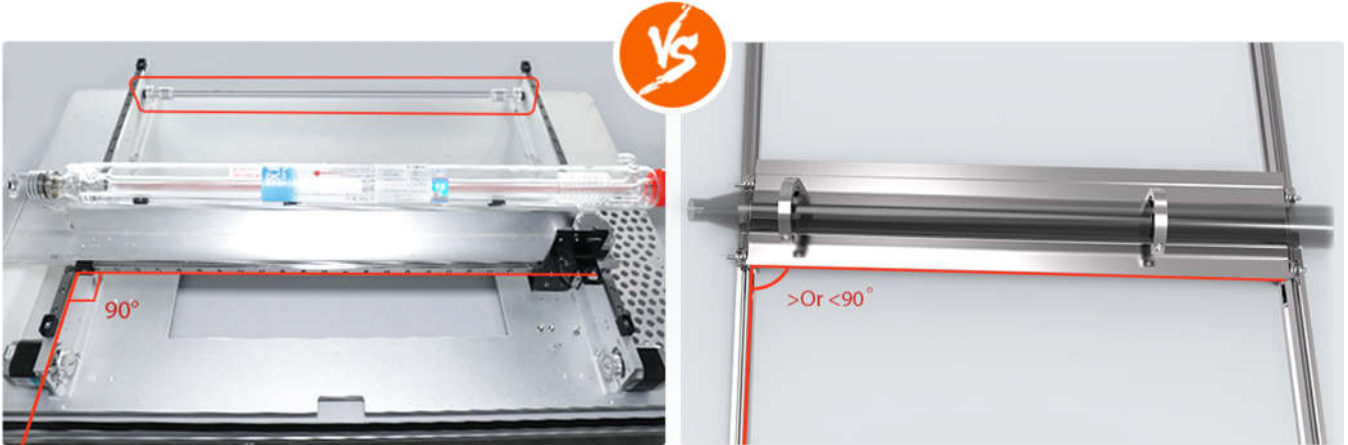


- GWEIKE Cloud
- Faster fume extraction

- Other 3D Laser Printer
- Slower exhaust

GWEIKE CLOUD VS OTHER 3D LASER PRINTER

05 Two Y-axis Simultaneous Motion Design



- **GWEIKE Cloud**
- Two Y axes in parallel allows for a stable gantry system with higher accuracy.

- **Other 3D Laser Printer**
- Difficult to synchronize, larger gap between axes causing slanted and unaccurate cuts.

06 Machine Bottom Feeding Design



- **GWEIKE Cloud**
- Top and bottom compartments can be used together allows for a bigger work area

- **Other 3D Laser Printer**
- Bottom compartment can not be used for material processing



GWEIKE CLOUD VS OTHER 3D LASER PRINTER

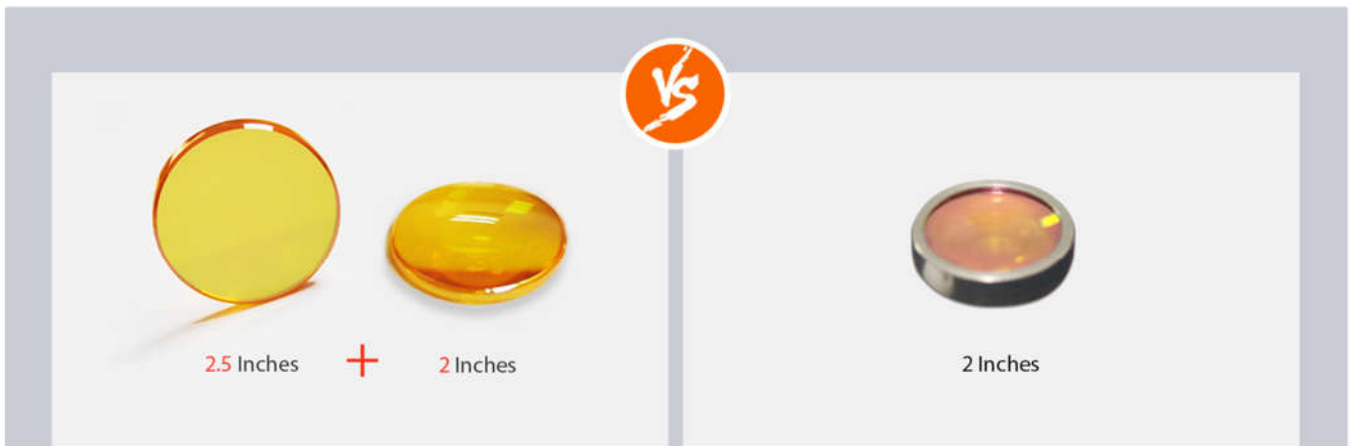
07 Air Filter



- GWEIKE Cloud
- Free

- Other 3D Laser Printer
- Charges around USD500

08 Focus Lens



- GWEIKE Cloud
- Can be changed for different material thickness processing

- Other 3D Laser Printer
- Cannot process materials thicker than 10mm

GWEIKE CLOUD VS OTHER 3D LASER PRINTER

09 Water Chiller



- **GWEIKE Cloud**
- Longer life span
- Fast and efficient cooling

- **Other 3D Laser Printer**
- Shorter life span
- Slower cooling